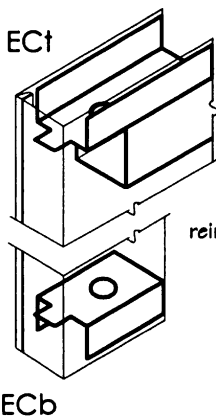
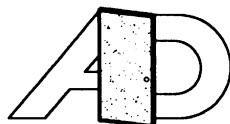
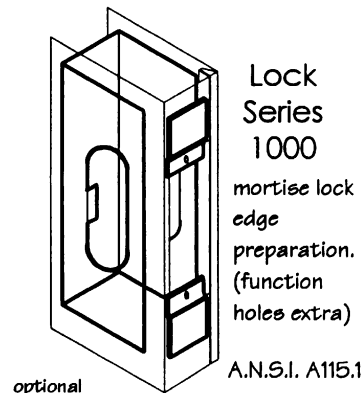
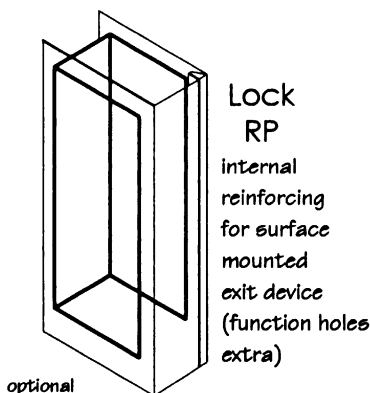
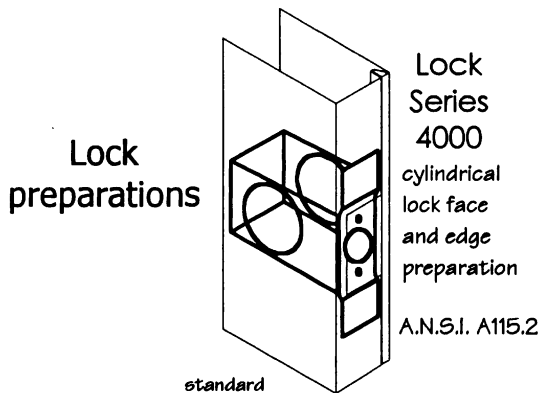
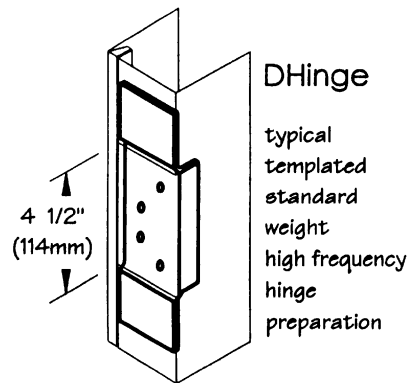


AD Available in 20, 18 and 16 gauge (see 'Price Book')  
 Door edges are bevelled 1/8" over 2"  
 For Fire Labelling criteria, see publications  
 Any item not listed is considered 'extra'



End channels welded in at both ends. Surface closer reinforcing included at top of door



## Elevations and Details for Embossed Hollow Metal Doors

Artek Door (1985) Limited 225 Wycroft Rd. Oakville, Ontario, CANADA L6K 3S3

a Canadian manufacturer of standard and custom steel Doors and Frames