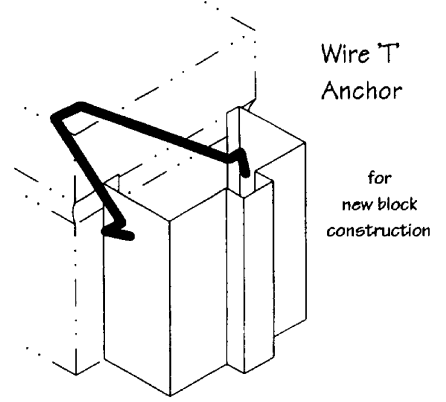
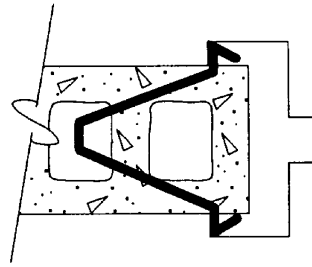
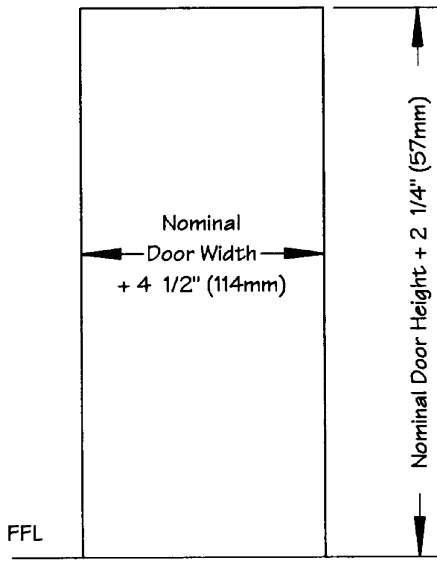


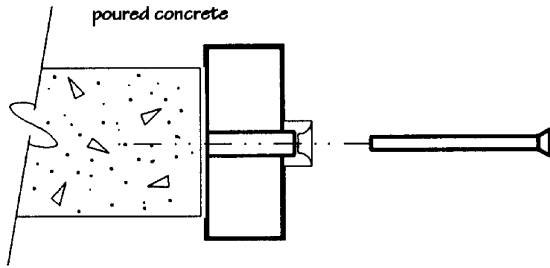
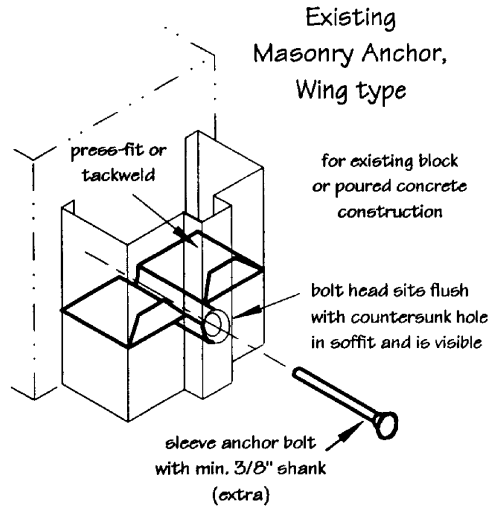
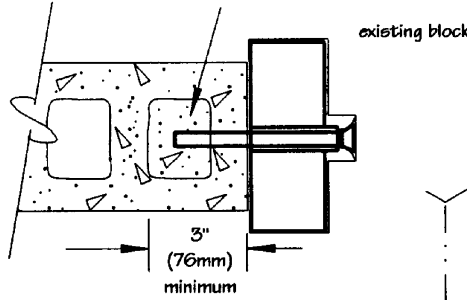


# Anchoring Systems

## Rough Masonry Opening Dimensions for 2" (51mm) face frames

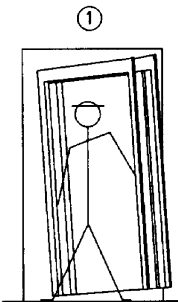


All voids, to the full frame height, must be filled with concrete, to a minimum depth of 3" (76mm)

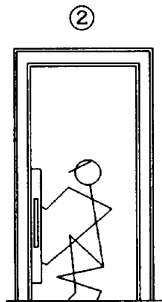


## Installation Instructions

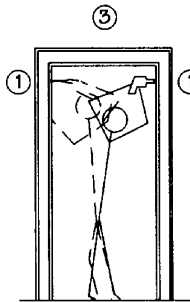
Artek Door (1985) Limited is not responsible in any way for installation or any damage or liability resulting therefrom.



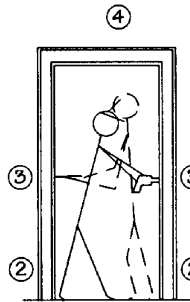
① Place frame in opening



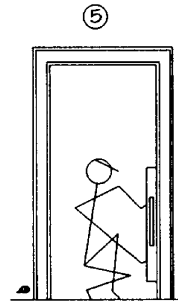
② Level, plumb and square to nominal door dimensions. Shim as required. Spreader bars are not measuring devices.



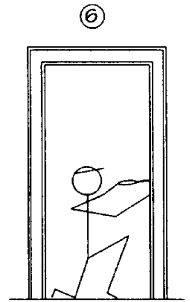
③ Drill top two holes. Set and seat top anchor bolts



④ Drill remaining holes. Set and seat anchor bolts in sequence shown



⑤ Adjust for level, plumb and square. Frame must not have camber or twist



⑥ Fully tighten all anchor bolts. Do not over-torque. Remove spreader bars



## Anchoring Details and Installation Instructions for 1 pc. Masonry Pressed Steel Frames

Artek Door (1985) Limited 225 Wycroft Rd. Oakville, Ontario, CANADA L6K 3S3

a Canadian manufacturer of standard and custom steel Doors and Frames

not to scale  
c:\detail\KD\pcinstall 06 June 2000