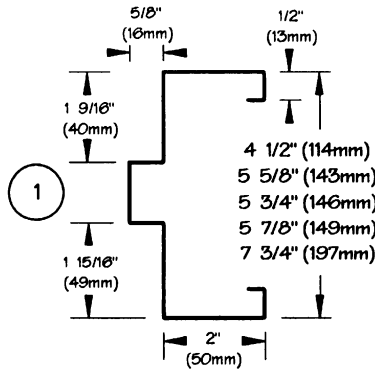
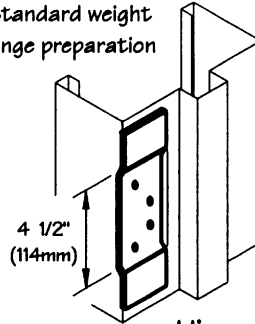


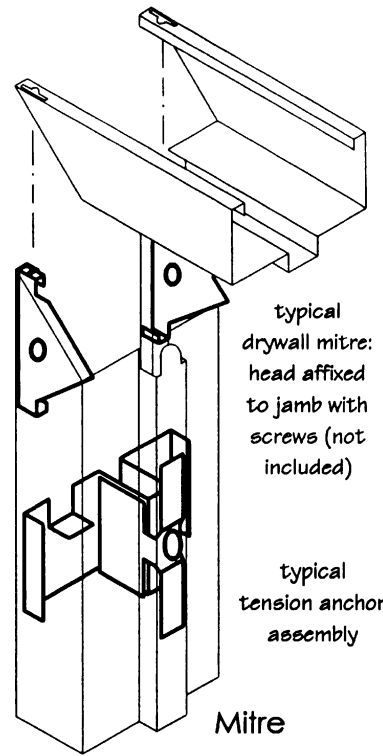
Standard Profiles



typical templated
standard weight
hinge preparation



Hinge



typical
drywall mitre:
head affixed
to jamb with
screws (not
included)

typical
tension anchor
assembly

Mitre

Specifications

Subject to change without notice

Frames shall be manufactured by Artek Door (1985) Ltd., as 18KDDW or 16KDDW.

Product Note. Each group is available with standard and custom profiles, sizes and hardware configurations.

Frames shall be fabricated from Commercial steel to ASTM A653/A653M

with an A25 (ZF75) 'galvanneal' coating.

Product Note. The 18KDDW group is made in 18 (1.2mm) ga.

The 16KDDW group is made in 16 (1.5mm) gauge.

Nominal gauges and equivalents are shown.

Frames shall be blanked, drilled and tapped or reinforced for mortised or surface mounted hardware in accordance with an approved Hardware Schedule.

Frame mitres shall be supplied as Knock-down for site assembly.

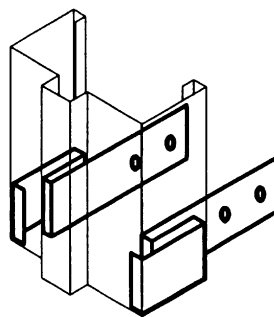
Alternately, frame mitres may be welded, ground smooth and touched-up.

Frames shall come with factory installed tension, center and bottom strap anchors.

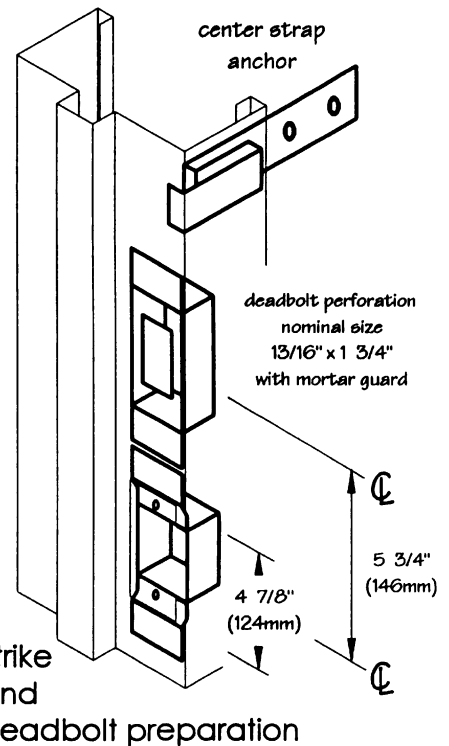
Frames require bumpers (silencers, mutes) of the type and quantity recommended by the manufacturer.

Frames shall be supplied unprimed and unpainted.

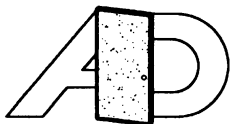
Fire rated frames shall be tested in accordance with ASTM, NFPA and UL standards and carry the mark of and be listed by an independent, recognized and accredited laboratory.



strap anchor



Strike
and
deadbolt
preparation



Elevation, Details and Specifications for Drywall Pressed Steel Frames

Artek Door (1985) Limited 225 Wycroft Rd. Oakville, Ontario, CANADA L6K 3S3

a Canadian manufacturer of standard and custom steel Doors and Frames